

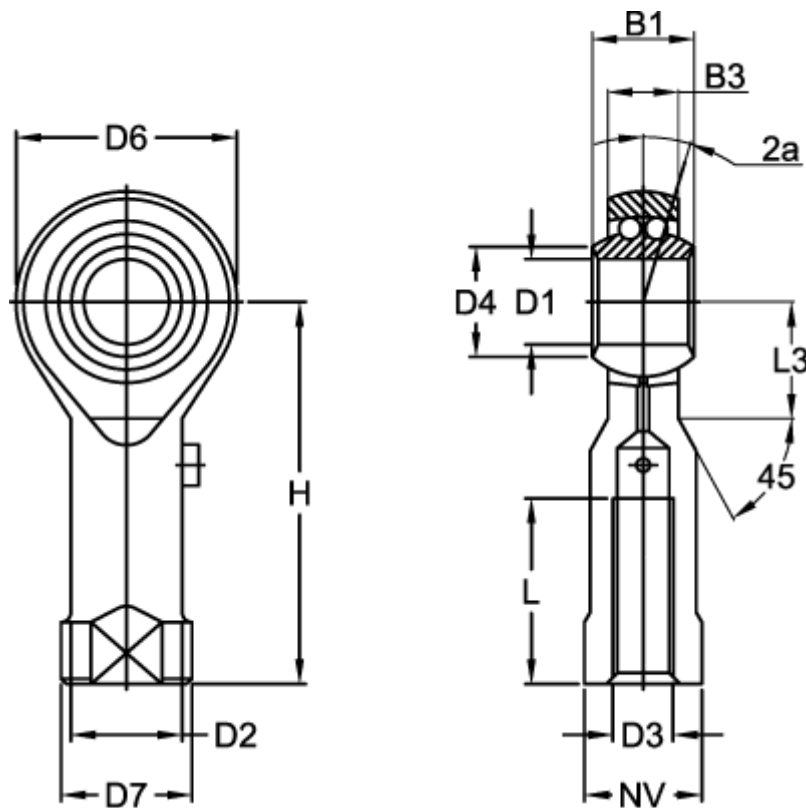
# Data Sheet



Article number: 03706006

Description: Fluro rod end BRF 6  
with ball bearing

## Measures



Angel 2a = 8.0	D7 = 13	Weight (kg) = 0.024
B1 = 9	Dynamic load C (N) = 2750	
B3 = 6.75	H = 30	
D1 = 6	L = 12	
D2 = 10.0	L3 = 10	
D3 = M6x1	Max rpm = 1350	
D4 = 9.0	NV = 11	
D6 = 20	Static load (N) = 650	